

WEB MANUAL

EP 2

www.hertzaudiovideo.com

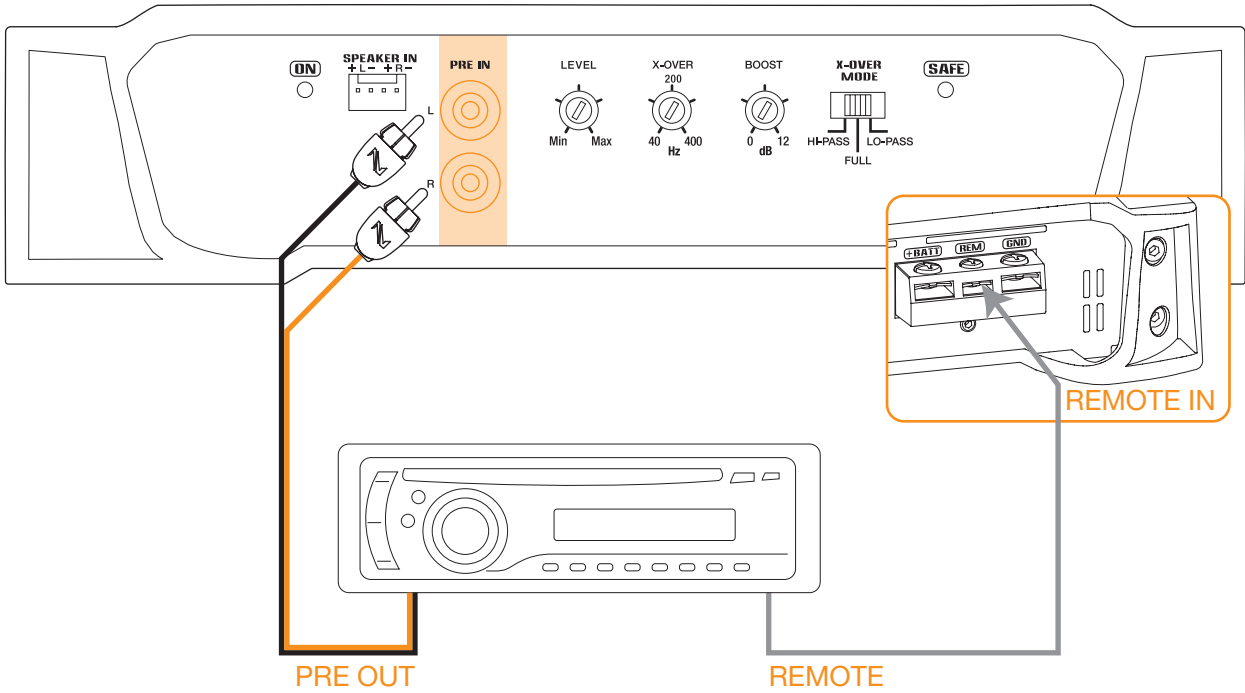


HERTZ
The Sound Experience



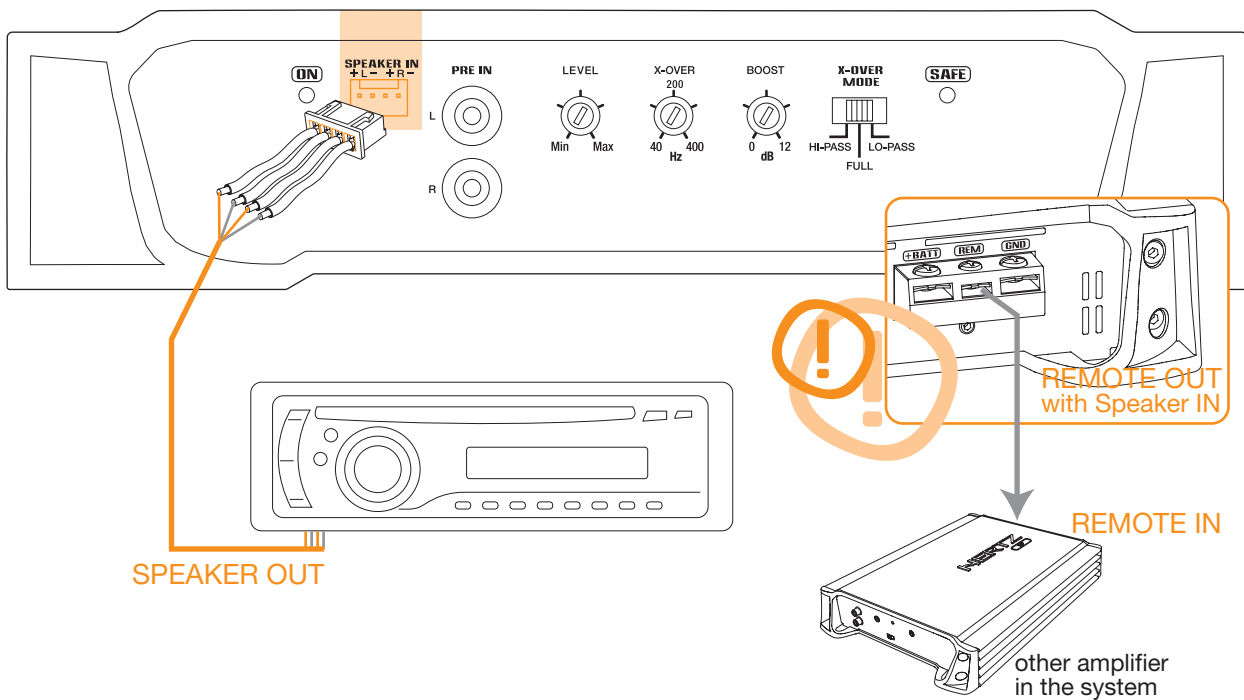
INPUTS

PRE IN Stereo



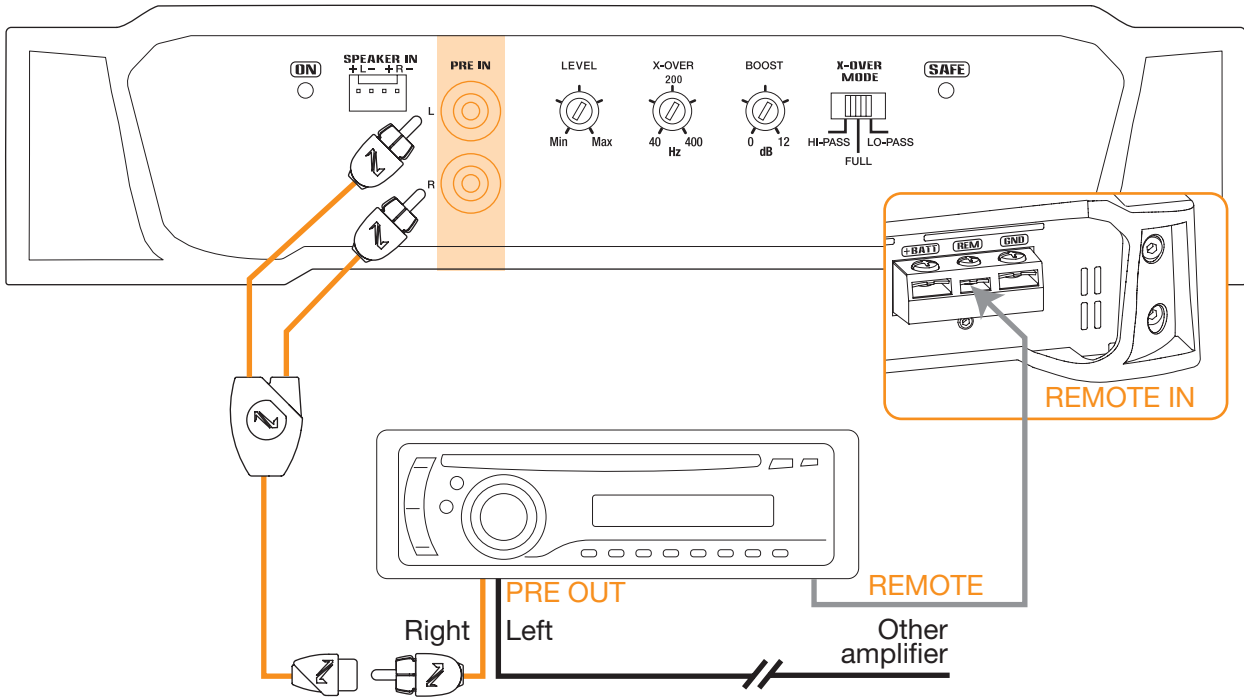
INPUTS

SPEAKER IN Stereo



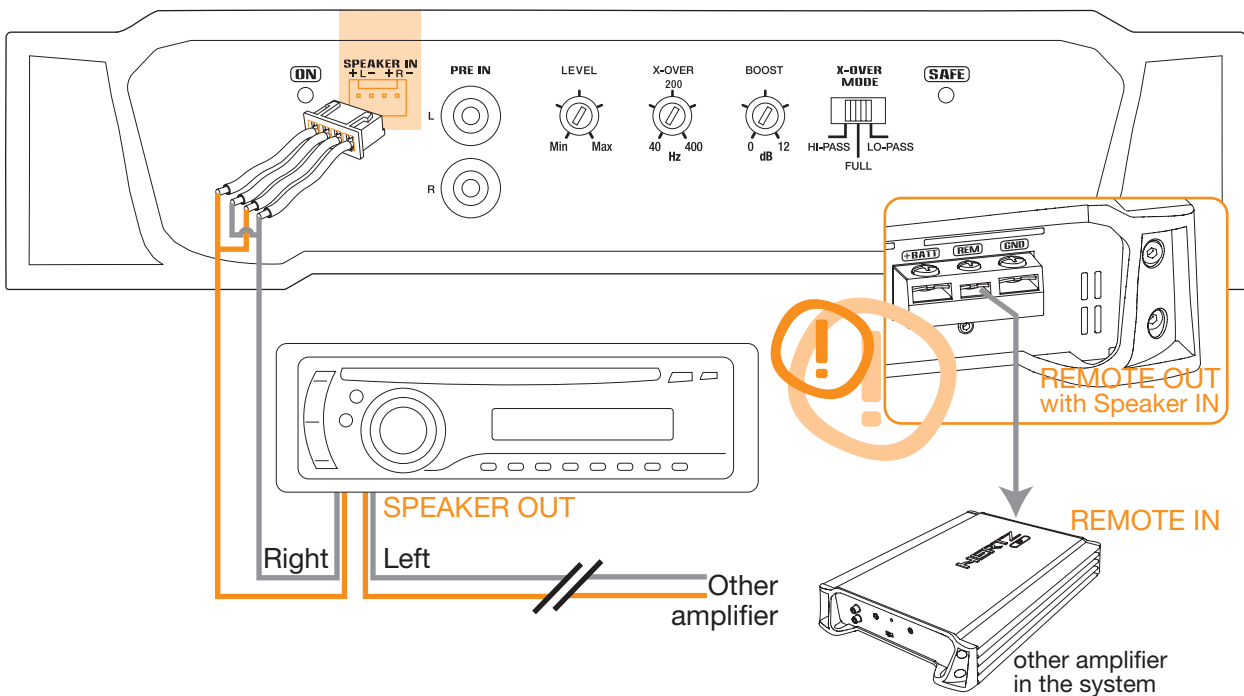
INPUTS

PRE IN Mono



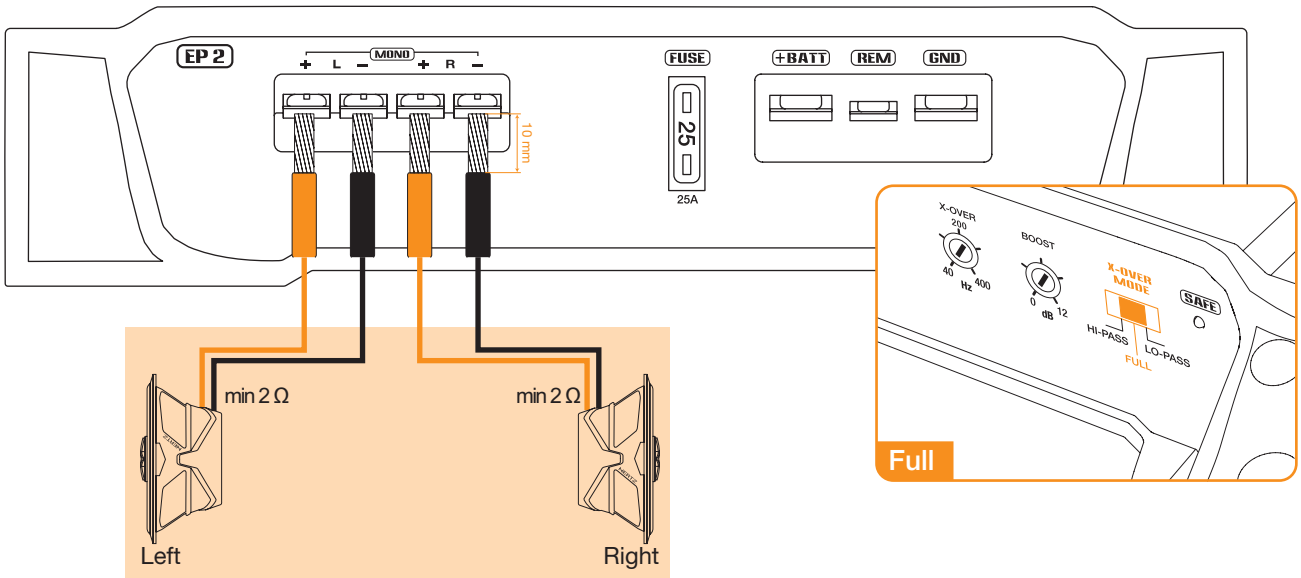
INPUTS

SPEAKER IN Mono



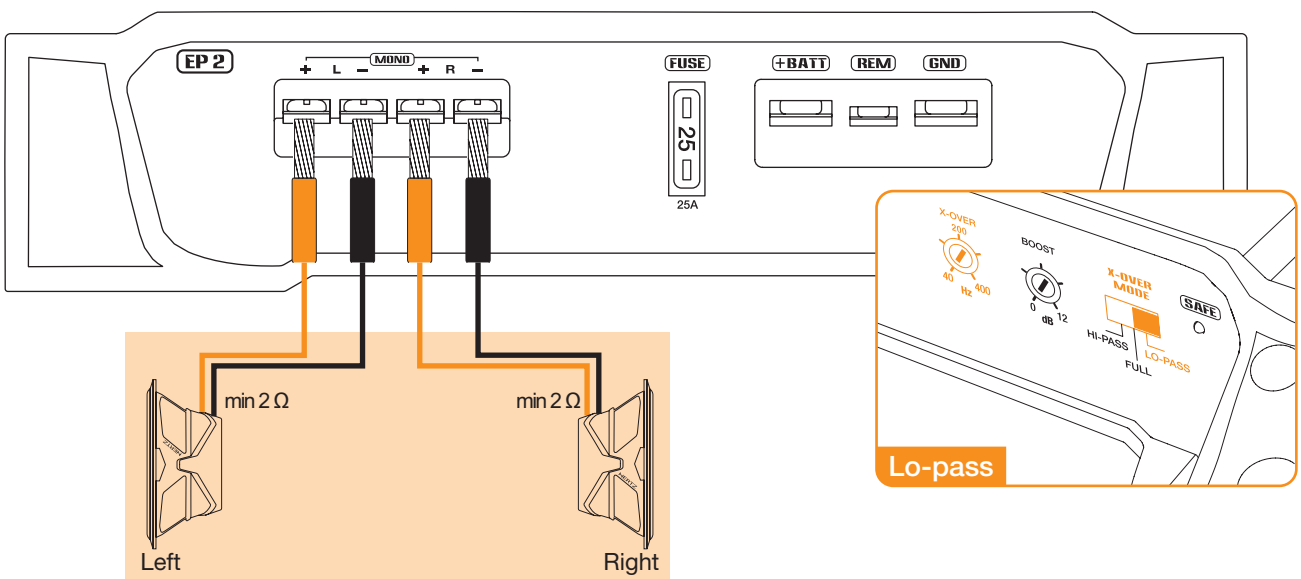
OUTPUTS

Stereo Full



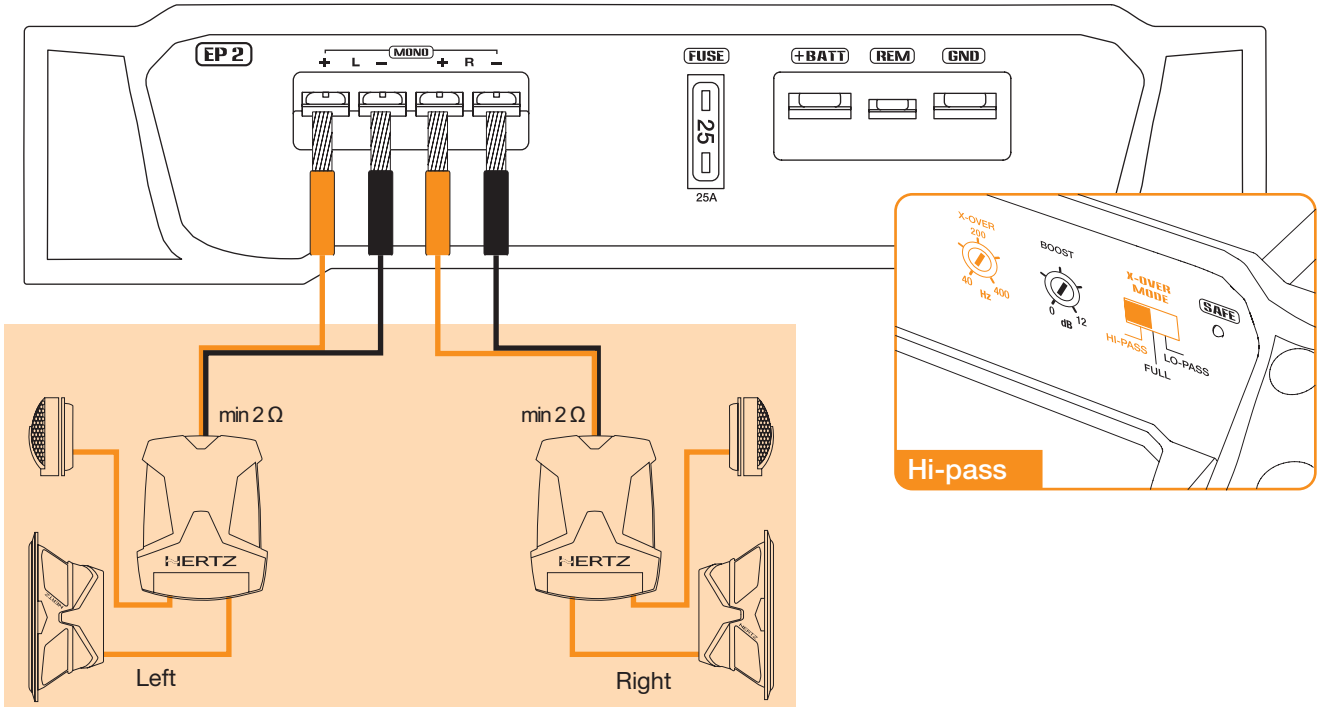
OUTPUTS

Stereo Lo-pass



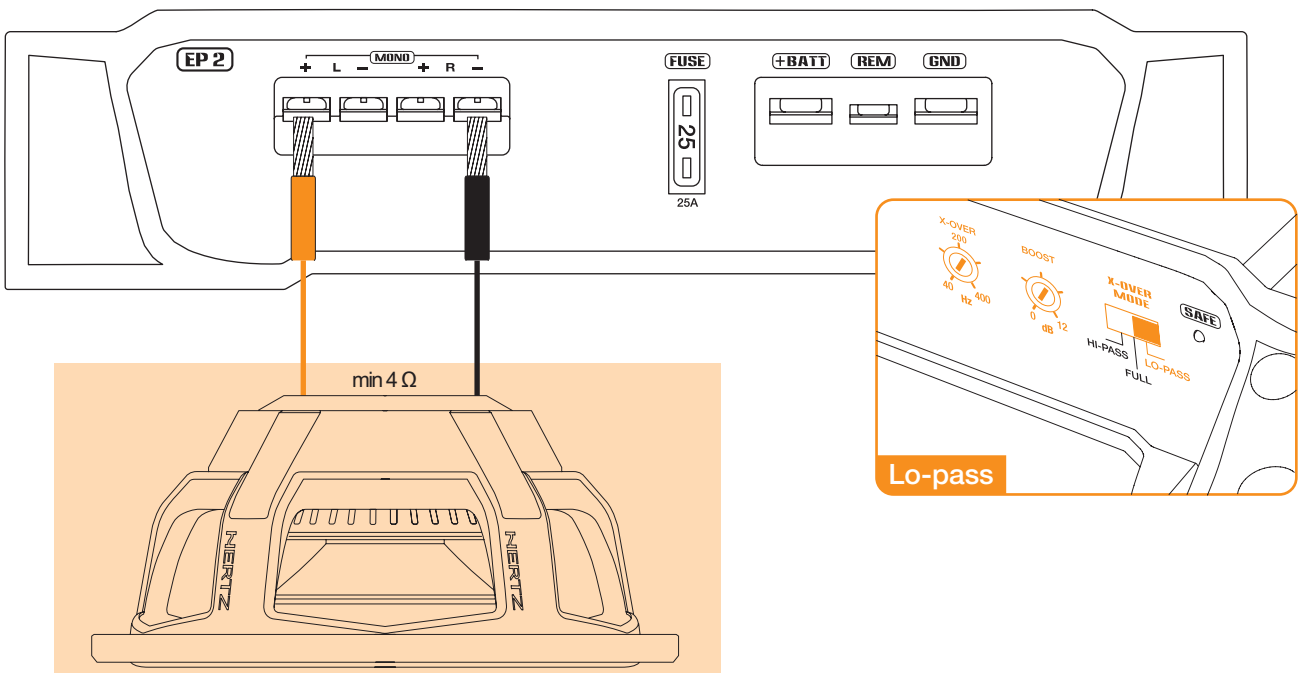
OUTPUTS

Stereo Hi-Pass



OUTPUTS

Mono Lo-Pass

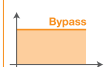
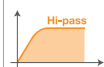
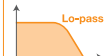


CONFIGURATION

Input/Output configuration

Input	Output
L/R	STEREO
Apply same L&R signal using RCA Y-adaptor	MONO

Filter configuration

Config.	AMP
1	
2	
3	

TECHNICAL SPECIFICATIONS

EP2

Power Supply	
Voltage	11÷15 VDC
Minimum idling current	0.7 A
Idling current when off	0.02 mA
Consumption @ 2Ω; 14.4 VDC (MAX Musical Power)	14 A
Remote IN Voltage	6÷15 VDC (1 mA)
Internal fuse	1 x 25 A
Amplifier stage	
Bandwidth (-3dB)	7÷60k Hz
Distortion - THD (1 kHz @ 4 Ω)	0.05%
S/N Ration (weighted A @ 1 V)	100 dB
Damping factor (1 kHz @ 4 Ω)	130
Input sensitive (PRE IN)	0.3÷5 V
Input sensitive (Speaker IN)	1.4÷24 V
Input impedance (PRE IN)	15 kΩ
Input impedance (Speaker IN)	5 kΩ
Load impedance (MIN)	
2 Ch	2Ω
1 Ch	4Ω
Output Power (RMS) @ 14.4 VDC; THD 1%	
2 Ch	60 W x 2 (4Ω)
2 Ch	95 W x 2 (2Ω)
1 Ch	190 W x 1 (4Ω)
Inputs / Outputs / Filters	
Input	PRE / Speaker
AMP Filter	
Full / Hi-pass / Lo-pass	40÷400Hz@12dB/Oct.
Bass Boost	0 ÷ +12dB @ 45 Hz
Other Functions	
ART	Automatic Remote Turn-On/Off with Speaker-In
Size	
B x L x H mm	240 x 230 x 54
inches	9 ^{15/32} x 9 ^{1/16} x 2 ^{5/32}
Weight kg	2,24
lb	4.94